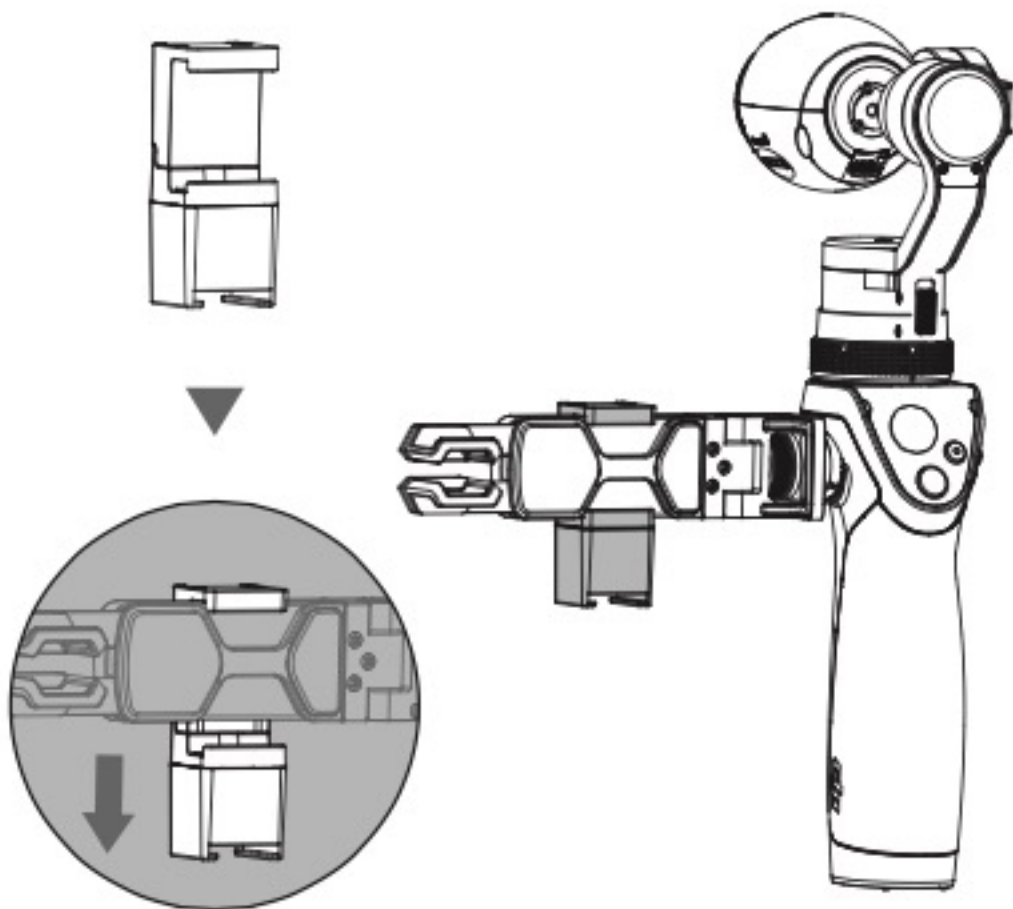


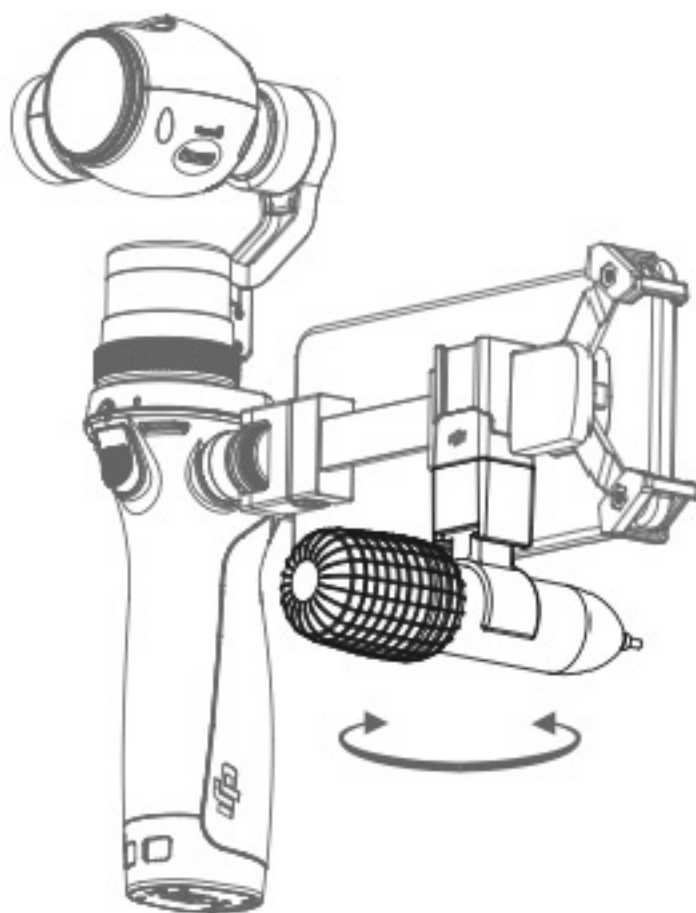
Installation

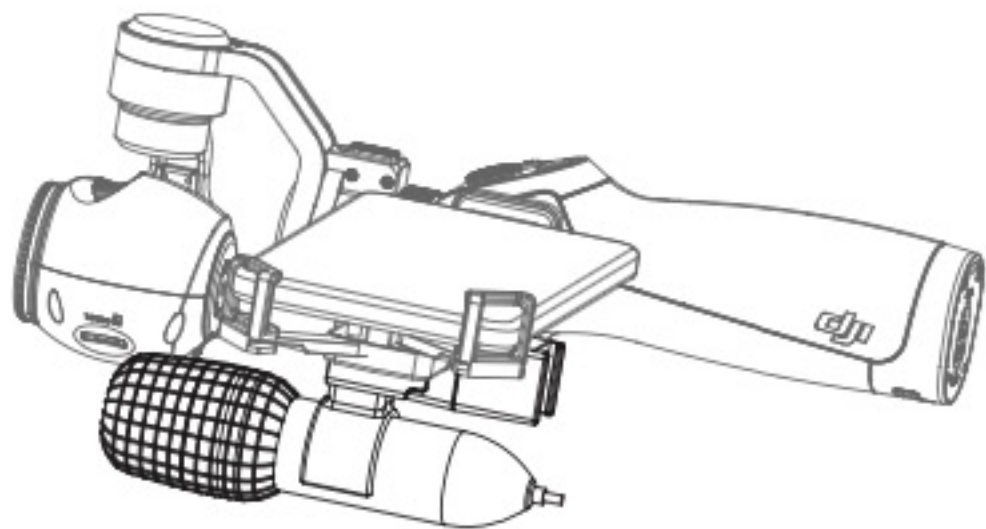
1. Unfold the arms on the mobile device holder. Then, latch the Quick Release 360 Mic Mount around the mobile device holder as shown.



2. Mount your equipment on one of the cold shoe mounts. The bottom cold shoe mount rotates 360 degrees.

Suggested Combinations





For the best experience, only mount equipment that weighs less than 200 g.
